

ECOLINE EL 609



**BEDIENUNGSANLEITUNG
USER MANUAL
MODE D'EMPLOI**

geo
FENNEL

ECOLINE

1 FEATURES

- 1 vertical and 1 horizontal laser line form 1 laser cross
- Laser lines switchable separately
- Visual alarm when out of level
- 1/4" thread on the bottom of the instrument
- Robust L-mount made of metal:
 - for wall hanging with screw
 - strong magnets on back side
 - 1/4" adapter

TECHNICAL SPECIFICATIONS

Self-levelling range	± 3°
Accuracy	± 5 mm / 10 m
Working range	10 m* (radius)
Power supply	3 x AA Alkaline
Operating time (all lines switched o)	18h
Dust / water protection	IP 54
Laser diode / laser class	635 nm / 2
Temperature range	-10°C to +45°C
Weight (instrument with battery)	0,4 kg

*depending on room illumination

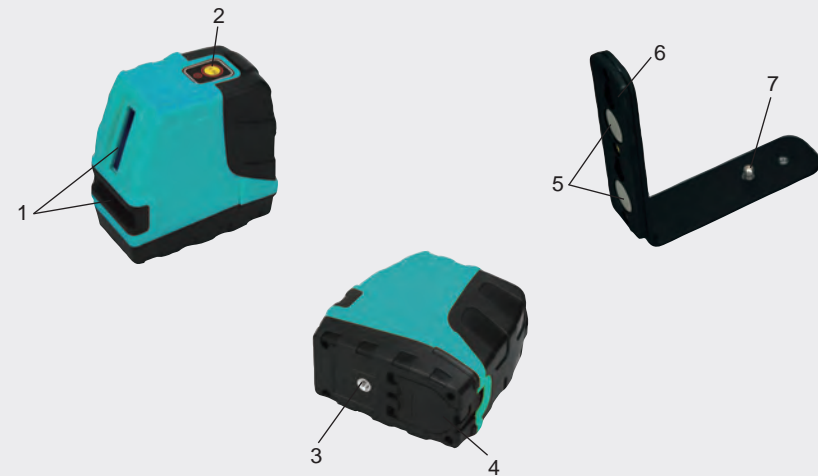
POWER SUPPLY

Put in 3 x AA Alkaline batteries into the battery case (4) (take care to polarity) and close battery compartment.
When the ON/OFF LED flashes the batteries must be replaced.

L-MOUNT

Fix the instrument on the L-mount by using the 1/4" adapter.
Use the laser on a wall
Use of the laser with the magnets

OPERATIONAL ELEMENTS



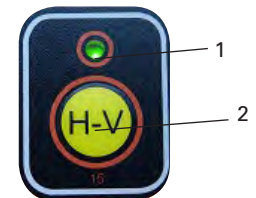
1. Laser emitting windows
2. Keypad
3. 1/4" thread for tripod
4. Battery case
5. Magnets
6. Hanging hole
7. 1/4" adapter

SUPPLIED WITH

EL 609, L-mount, 3 x AA Alkaline battery, soft bag, user manual

KEYPAD

1. ON/OFF LED
2. ON/OFF horizontal and vertical laser line



3 OPERATION

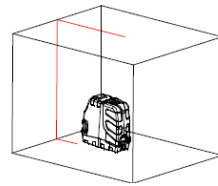


The ON/OFF LED is off - the instrument is off



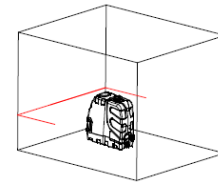
Press button H-V once:

- the ON/OFF LED is illuminated continuously
- the vertical laser line only is switched on
- the self-levelling mode is activated; if the instrument is tilted. (out of compensator range) the vertical laser line is blinking



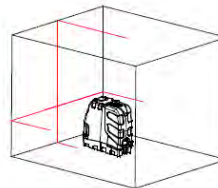
Press button H-V again:

- the ON/OFF LED is illuminated continuously
- the horizontal laser line only is switched on
- the self-levelling mode is activated; if the instrument is tilted. (out of compensator range) the horizontal laser line is blinking



Press button H-V a third time:

- the ON/OFF LED is illuminated continuously
- the vertical and the horizontal laser line are switched on = laser cross
- the self-levelling mode is activated; if the instrument is tilted. (out of compensator range) both laser lines blinking



Press button H-V again:

- the ON/OFF LED is off
- the instrument is now off

4 SAFETY NOTES

SPECIFIC REASONS FOR ERRONEOUS MEASURING RESULTS

Measurements through glass or plastic windows; dirty laser emitting windows; after instrument has been dropped or hit. Please check accuracy. Large fluctuation of temperature: If instrument will be used in cold areas after it has been stored in warm areas (or the other way round) please wait some minutes before carrying out measurements.

CARE AND CLEANING

Handle measuring instruments with care. Clean with soft cloth only after any use. If necessary damp cloth with some water. If instrument is wet clean and dry it carefully. Pack it up only if it is perfectly dry. Transport in original container / case only.

ELECTROMAGNETIC ACCEPTABILITY (EMC)

It cannot be completely excluded that this instrument will disturb other instruments (e.g. navigation systems); will be disturbed by other instruments (e.g. intensive electromagnetic radiation nearby industrial facilities or radio transmitters).

CE-CONFORMITY

Instrument has CE-mark according to EN 61326:1997, EN 55022, EN 61000-4-2/-3.

WARRANTY

This product is warranted by the manufacturer to the original purchaser to be free from defects in material and workmanship under normal use for a period of two (2) years from the date of purchase. During the warranty period, and upon proof of purchase, the product will be repaired or replaced (with the same or similar model at manufacturers option), without charge for either parts or labour. In case of a defect please contact the dealer where you originally purchased this product. The warranty will not apply to this product if it has been misused, abused or altered. Without limiting the foregoing, leakage of the battery, bending or dropping the unit are presumed to be defects resulting from misuse or abuse.

EXCEPTIONS FROM RESPONSIBILITY

1. The user of this product is expected to follow the instructions given in operators' manual. Although all instruments left our warehouse in perfect condition and adjustment the user is expected to carry out periodic checks of the product's accuracy and general performance.
2. The manufacturer, or its representatives, assumes no responsibility of results of a faulty or intentional usage or misuse including any direct, indirect, consequential damage, and loss of profits.
3. The manufacturer, or its representatives, assumes no responsibility for consequential damage, and loss of profits by any disaster (earthquake, storm, flood etc.), fire, accident, or an act of a third party and/or a usage in other than usual conditions.
4. The manufacturer, or its representatives, assumes no responsibility for any damage, and loss of profits due to a change of data, loss of data and interruption of business etc., caused by using the product or an unusable product.
5. The manufacturer, or its representatives, assumes no responsibility for any damage, and loss of profits caused by usage other than explained in the users' manual.
6. The manufacturer, or its representatives, assumes no responsibility for damage caused by wrong movement or action due to connecting with other products.

SAFETY INSTRUCTIONS

- Follow up instructions given in user manual.
- Do not stare into beam. Laser beam can lead to eye injury. A direct look into the beam (even from greater distance) can cause damage to your eyes.
- Do not aim laser beam at persons or animals.
- The laser plane should be set up above eye level of persons.
- Use instrument for measuring jobs only.
- Do not open instrument housing. Repairs should be carried out by authorized workshops only. Please contact your local dealer.
- Do not remove warning labels or safety instructions.
- Keep instrument away from children.
- Do not use instrument in explosive environment.
- The user manual must always be kept with the instrument.

LASER CLASSIFICATION

The instrument is a laser class 2 laser product according to DIN IEC 60825-1:2008-05.

It is allowed to use unit without further safety precautions. Eye protection is normally secured by aversion responses and the blink reflex.

The laser instrument is marked with class 2 warning labels.



Please note:

If you return instruments for repair / for adjustment to us please disconnect batteries or rechargeable batteries from the instrument - this is for safety reasons!

Thank you.

geo-FENNEL GmbH

Kupferstraße 6

D-34225 Baunatal

Tel. +49 561 / 49 21 45

Fax +49 561 / 49 72 34

info@geo-fennel.de

www.geo-fennel.de

**Technische Änderungen vorbehalten.
All instruments subject to technical changes.
Sous réserve de modifications techniques.**



01/2014